

Model: Russian-C1		Date: 10-Mar-00	No.: RA265005
Subject: Scanner Firmware History		Prepared by: S. Tomoe	
From: Technical Services Dept., GTS Division			
Classification:	<input type="checkbox"/> Troubleshooting	<input type="checkbox"/> Part information	<input type="checkbox"/> Action required
	<input type="checkbox"/> Mechanical	<input type="checkbox"/> Electrical	<input type="checkbox"/> Service manual revision
	<input type="checkbox"/> Paper path	<input type="checkbox"/> Transmit/receive	<input type="checkbox"/> Retrofit information
	<input checked="" type="checkbox"/> Other ()		

Scanner firmware history for the Russian-C1

A8775810	Version	C. SUM	Production
E	3.0.1	6032	1st Mass Prod.
F	4.0.0	2E79	February Prod. '00
G	4.0.3	5736	March Prod. '00

Symptom Corrected	Suffix
The firmware was modified so that it can be used with the scanner controller for Adonis-C1.	F
The machine sometimes scans part of the exposure glass scale and edge of the original. To prevent this, a new scanner SP mode has been added (SP017, Scanner Margin Adjustment). Note: After installing this firmware version, Scanner SP006 must be performed.	F
The machine stalls when the memory full condition is reached.	F
When Scanner Auto Clear is enabled: If an ADF jam occurs during a scanning job initiated before the Scanner Auto Clear timer expires, the scanner settings are reset to the defaults.	G

Model: Russian-C1		Date: 10-Mar-00	No.: RA265006
Subject: Scale and edge of original is scanned (Scanner Option)		Prepared by: S. Tomoe	
From: Technical Services Dept., GTS Division			
Classification:	<input checked="" type="checkbox"/> Troubleshooting	<input type="checkbox"/> Part information	<input type="checkbox"/> Action required
	<input type="checkbox"/> Mechanical	<input type="checkbox"/> Electrical	<input type="checkbox"/> Service manual revision
	<input type="checkbox"/> Paper path	<input type="checkbox"/> Transmit/receive	<input type="checkbox"/> Retrofit information
	<input type="checkbox"/> Other ()		

SYMPTOM

When using the scanner function, the machine sometimes scans part of the exposure glass scale and the edge of the original. A black line appears on the scanned image.

CAUSE

Scanning starts from the upper-left hand corner of the exposure glass. Therefore, when the original is curled or not lined up flush against this corner (platen mode) or when DF feed is late (ADF mode), the machine scans part of the exposure glass scale and the edge of the original.

SOLUTION

A new scanner SP mode has been added (SP017, "Trimming") so that the scanning margin can be adjusted. This SP mode was made available with the release of scanner controller firmware version 4.0.0. After installing **this** firmware version, please make sure to perform SP006 to reset the UP and SP settings related to the scanner.

The details of this SP mode are as follows:

Scanner SP017

No		Function	Settings
017	Trimming	Adjusts the scanning margins for both the main and sub scan directions.	0 ~ 5 1 mm / step
		<i>The larger the value, the wider the margin.</i>	0

Note:

This problem occurs only when the machine is set to scan the entire original, not when scanning a selected area within the original. Therefore, this SP mode does not apply to cases where the Preview function is used.

Model: Russian-C1

Date: 10-Mar-00

No.: RA265006

Examples:

1. When the machine scans an A4 sized original in Platen Mode and the value of SP017 is 5 (illustration 1 below):

Since the scanning start position is at "A", margins will be placed at 5 mm from the left and right edges (main scan) as well as from the leading and trailing edges (sub-scan). Any image within 5 mm of the four edges will be erased.

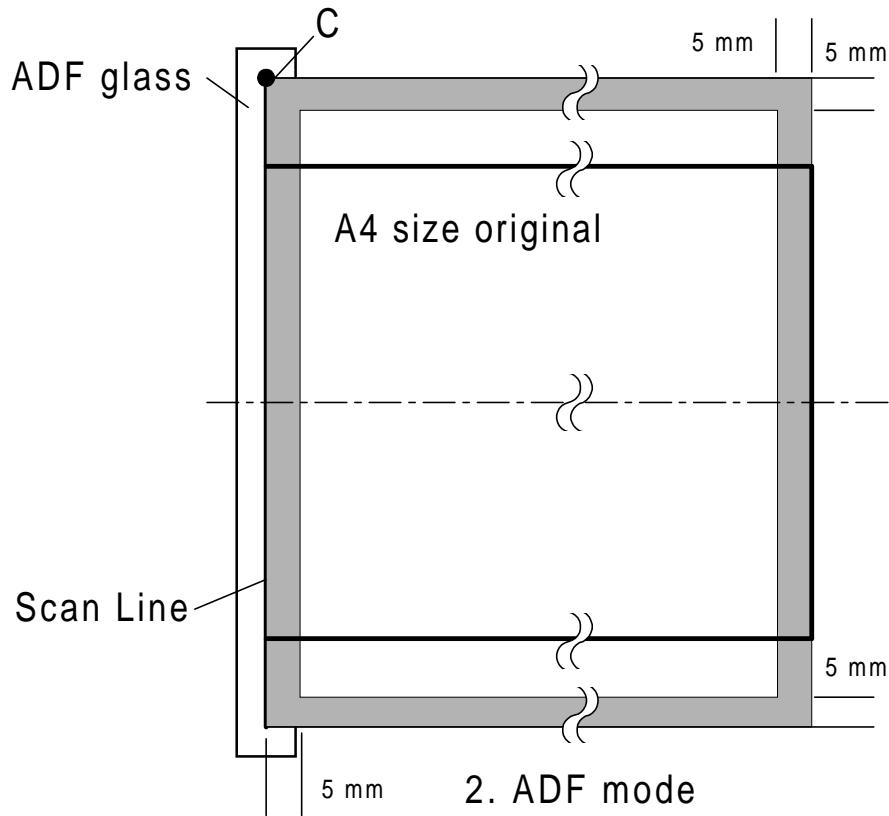
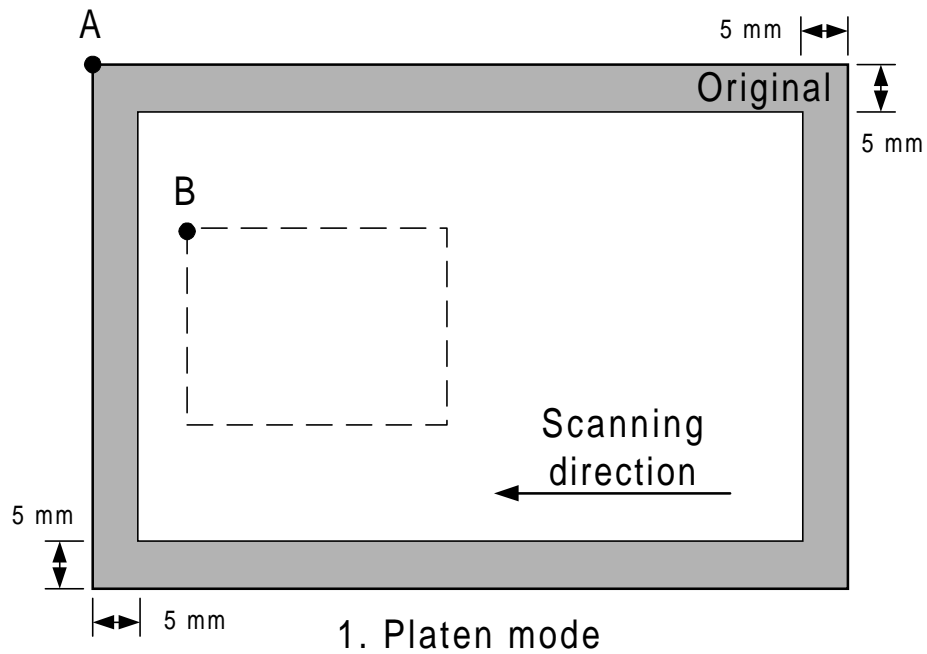
2. When scanning a selected area with the Preview function in Platen Mode and the value of SP017 is 5 (illustration 1):

Since scanning starts from point "B", the 5 mm margin is not applied to the selected area, and nothing in this area is erased along either scan direction.

3. When the machine scans an A4 sized original in ADF mode and the value of SP017 is 5 (illustration 2):

In ADF mode, the original is centered along the main scan direction. Although the sub-scan direction margins are applied to the original (as in example 1), the main scan margins will not appear (left/right edges). This is because the machine applies the 5 mm main scan margin using reference point "C" (where scanning begins), and so the centered A4 original is too narrow for the main scan margin to appear.

Model: Russian-C1	Date: 10-Mar-00	No.: RA265006
-------------------	-----------------	---------------



Model: Russian-C1 (Scanner Option Type 270)		Date: 24-Jan-01	No.: RA265021
Subject: Scanner controller does not connect to a hub		Prepared by: S. Tomoe	
From: Technical Services Dept., GTS Division			
Classification:	<input checked="" type="checkbox"/> Troubleshooting	<input type="checkbox"/> Part information	<input type="checkbox"/> Action required
	<input type="checkbox"/> Mechanical	<input type="checkbox"/> Electrical	<input type="checkbox"/> Service manual revision
	<input type="checkbox"/> Paper path	<input type="checkbox"/> Transmit/receive	<input type="checkbox"/> Retrofit information
	<input type="checkbox"/> Other ()		

SYMPTOM

The scanner controller may not connect with some types of hubs at 10 Mbps, depending on the particular hub and scanner NIB combination.

CAUSE

The OSC5 oscillator on the scanner controller does not match the particular hub.

SOLUTION

The OSC5 oscillator has been changed. The new controller is A8775311 (A8775310N).

Note: Initially, this was only a suffix change, however later we changed the part number to A8775311.

Reissued: 31-May-01

Model: Russian-C1	Date: 10-Mar-00	No.: RA265005a
-------------------	-----------------	----------------

RTB Correction

The items in bold italics have been corrected or added.

Subject: Scanner Firmware History		Prepared by: S. Tomoe	
From: Technical Services Dept., GTS Division			
Classification:	<input type="checkbox"/> Troubleshooting	<input type="checkbox"/> Part information	<input type="checkbox"/> Action required
	<input type="checkbox"/> Mechanical	<input type="checkbox"/> Electrical	<input type="checkbox"/> Service manual revision
	<input type="checkbox"/> Paper path	<input type="checkbox"/> Transmit/receive	<input type="checkbox"/> Retrofit information
	<input checked="" type="checkbox"/> Other ()		

Scanner firmware history for the Russian-C1.

A8775810	Version	C. SUM	Production
E	3.0.1	6032	1st Mass Prod.
F	4.0.0	2E79	February Prod. '00
G	4.0.3	5736	March Prod. '00
<i>H</i>	<i>4.0.4</i>	<i>5B8F</i>	<i>November Prod. '00</i>

Symptom Corrected (for older corrections, see older RTBs)	Suffix
<i>Improvement:</i> <i>An MTF filter is used in Text Mode to improve the quality of the scanned image.</i>	<i>H</i>